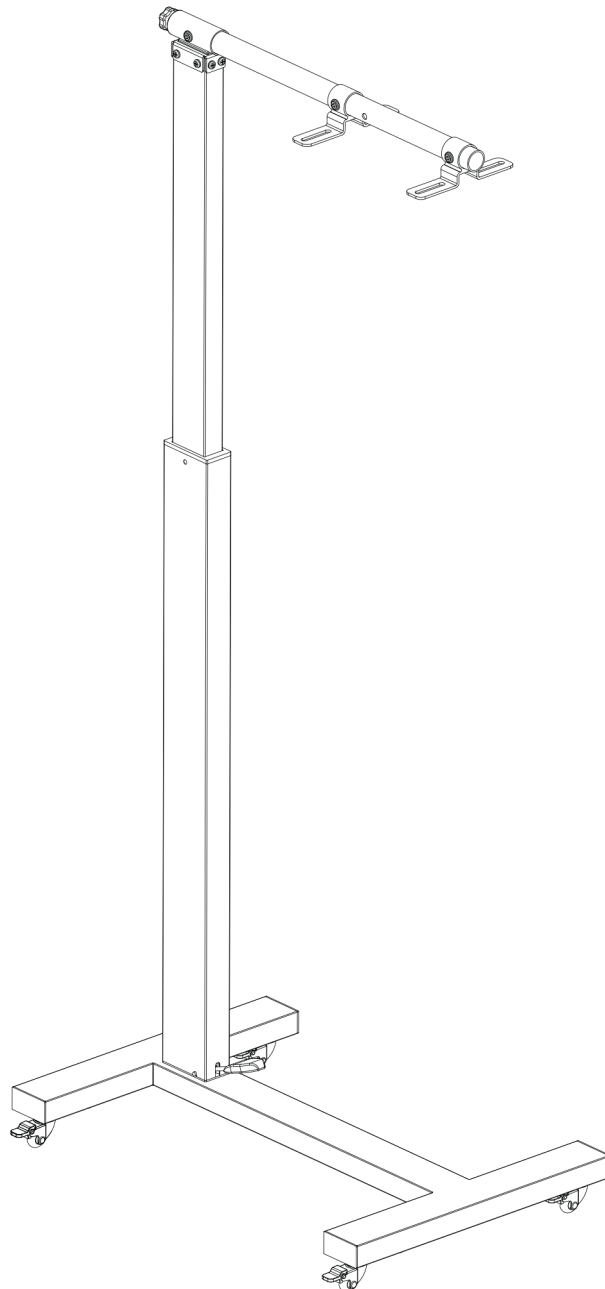




Alpinglow Summit Pneumatic Stand

Installation Guide



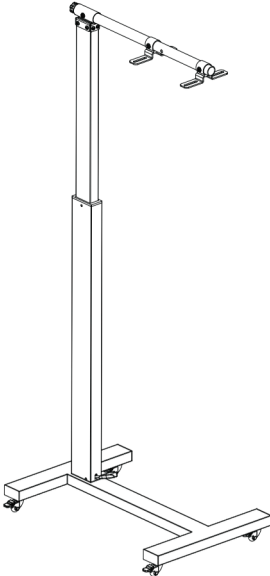
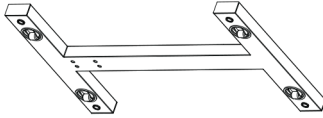
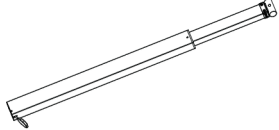
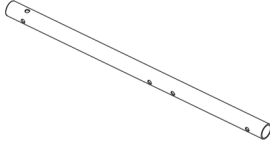
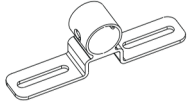
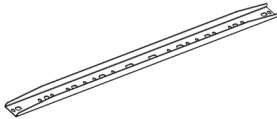
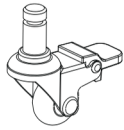
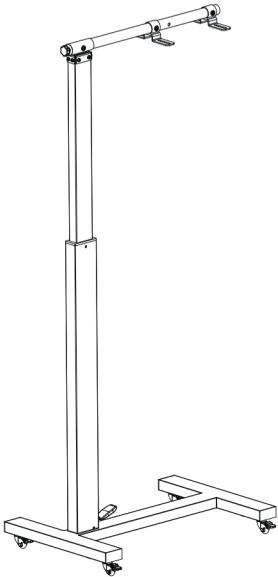








Instructions for Assembling Your Pneumatic Stand

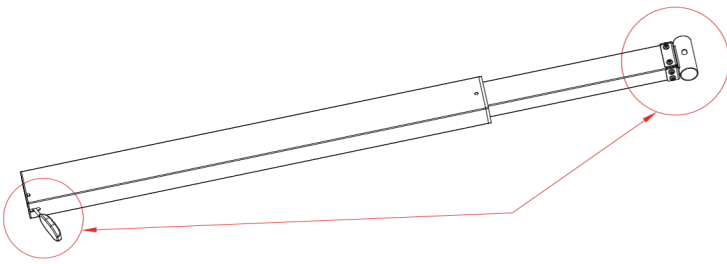
WARNING

Please read the following before assembling:

- ◆ Do not assemble the product if any of its parts/hardware are damaged or missing, if you require replacement parts, please contact us for assistance.
- ◆ Maximum load capacity: 25KG/55LBS.
- ◆ Use the product(s) only as intended by the manufacturer.
- ◆ This product contains moving parts, please use it with caution.
- ◆ We are not responsible for/do not cover: Damage from modification of the product, improper assembly, use with load over the specified weight range and damage ensuing from a natural disaster.

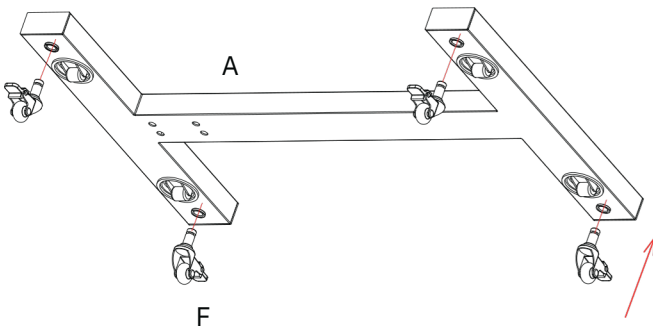
Parts List

	<p>Ax1</p> 		<p>Bx1</p> 		
	<p>Cx1</p> 		<p>Dx2</p> 		
	<p>Ex2</p> 		<p>Fx4</p> 		
	<p>screw</p>  <p>M8*65</p> <p>Gx4</p>	<p>screw</p>  <p>M6*6</p> <p>Hx17</p>	<p>screw</p>  <p>M6*10</p> <p>Ix5</p>	<p>hex wrench</p>  <p>4MM</p> <p>Jx1</p>	<p>hex wrench</p>  <p>5MM</p> <p>Kx1</p>
	<p>screw</p>  <p>M6*15</p> <p>Lx1</p>	 <p>Mx1</p>	<p>screw</p>  <p>M8*10</p> <p>Nx7</p>		



! Special attention: When the valve is pulled down, the top telescopic rod will pop up. Please pay attention when installing the stand, do not face the top rod to yourself or anyone around you, to avoid hurting people by accident.

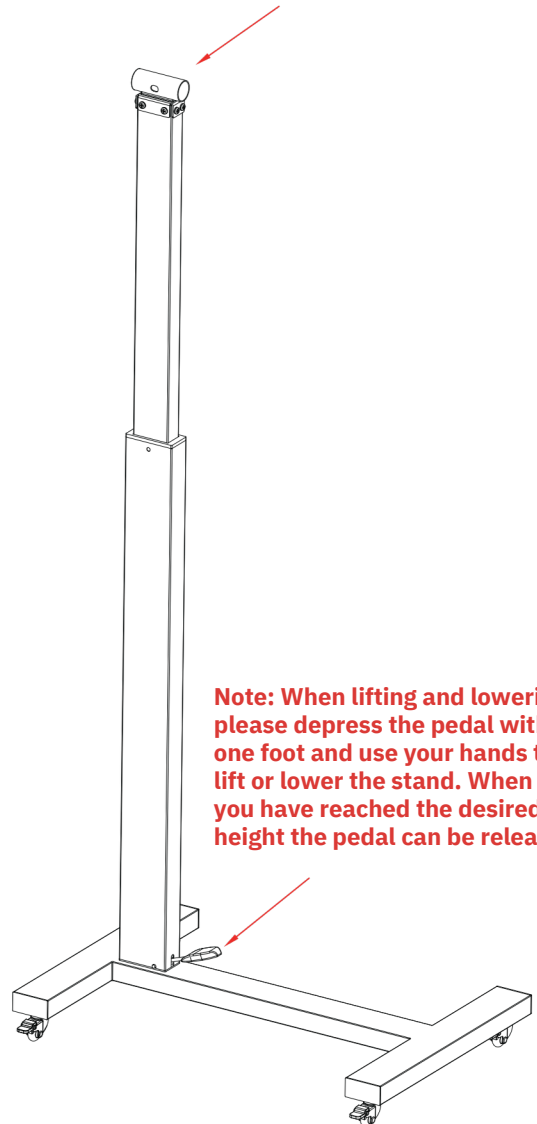
Step 1



If the stand needs to fit under a gap less than 5cm in height you can use the original wheels in order to minimize the height and not the wheels marked "F".

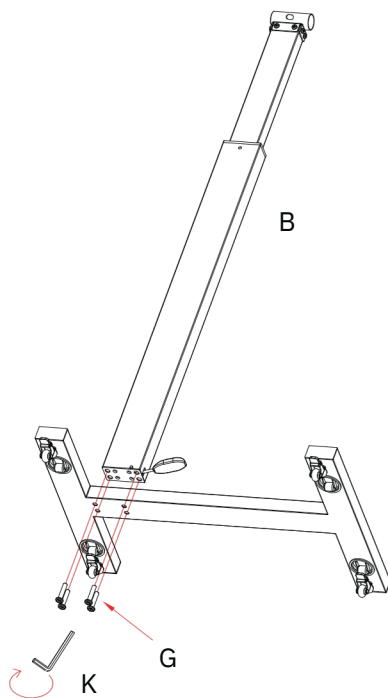
Step 3

Note: Do not place your body above the lifting rod to prevent the injury from accidental operation.



Note: When lifting and lowering please depress the pedal with one foot and use your hands to lift or lower the stand. When you have reached the desired height the pedal can be released.

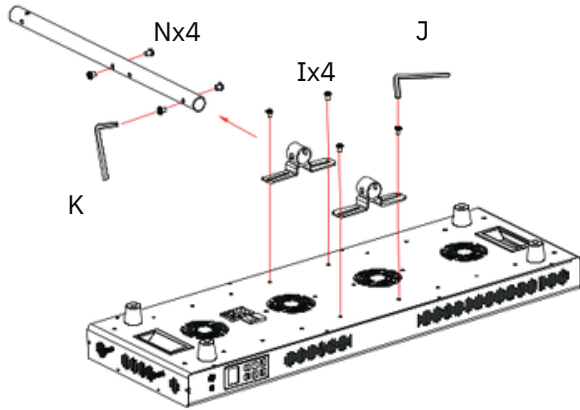
Step 2



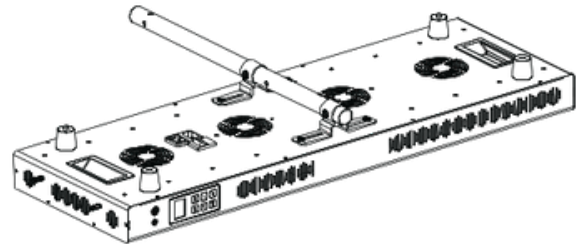
Horizontal Mounting

Alpinglow Summit Expert1500

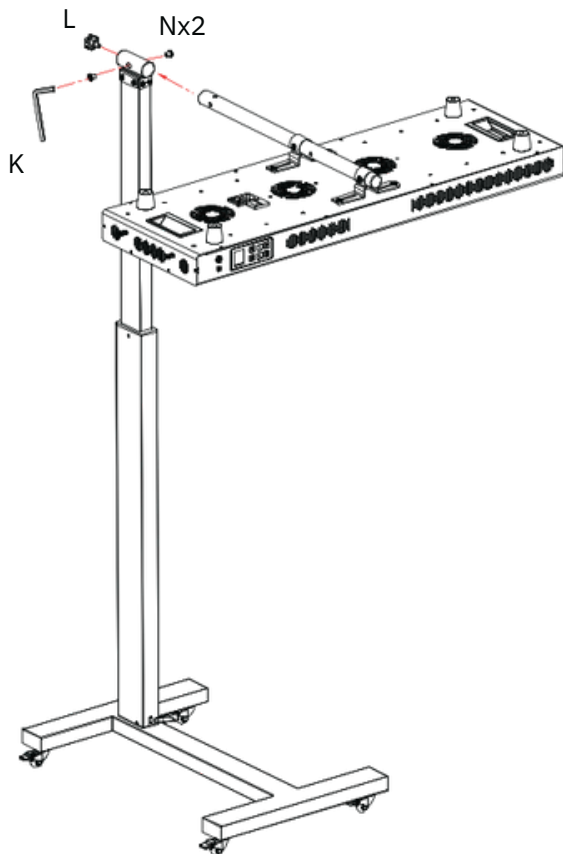
Step 4



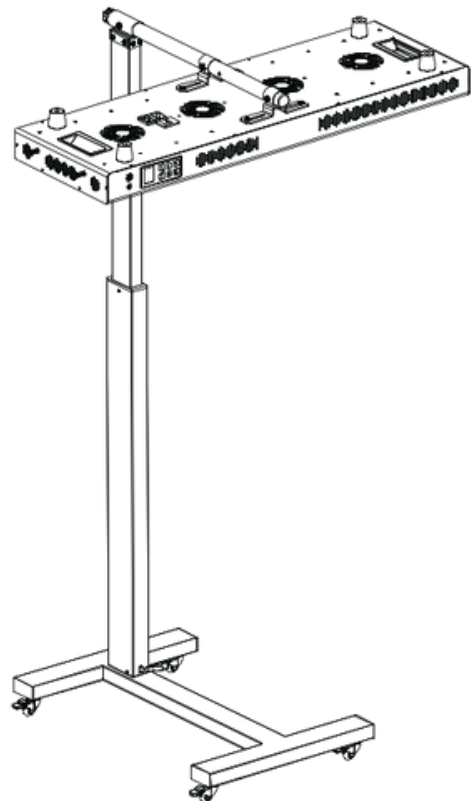
Step 5



Step 6

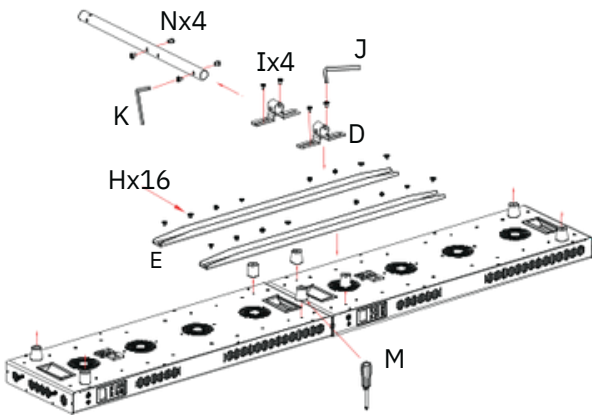


Step 7



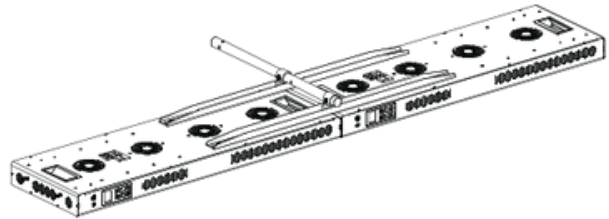
2xAlpinglow Summit Expert1500

Step 4

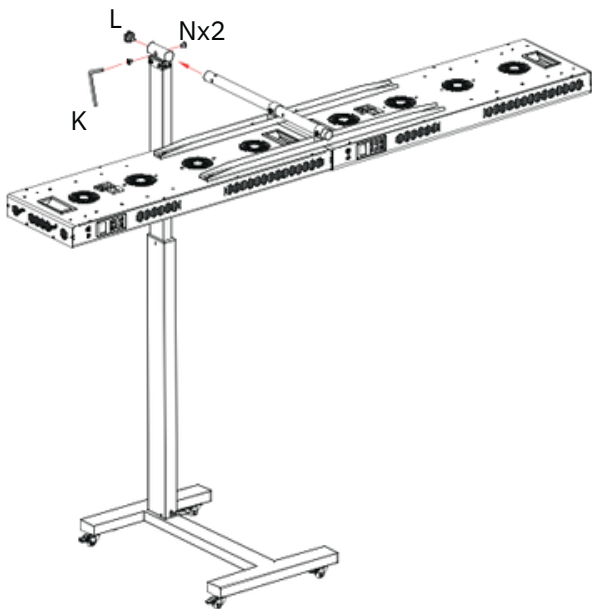


Remove the rubber bumpers

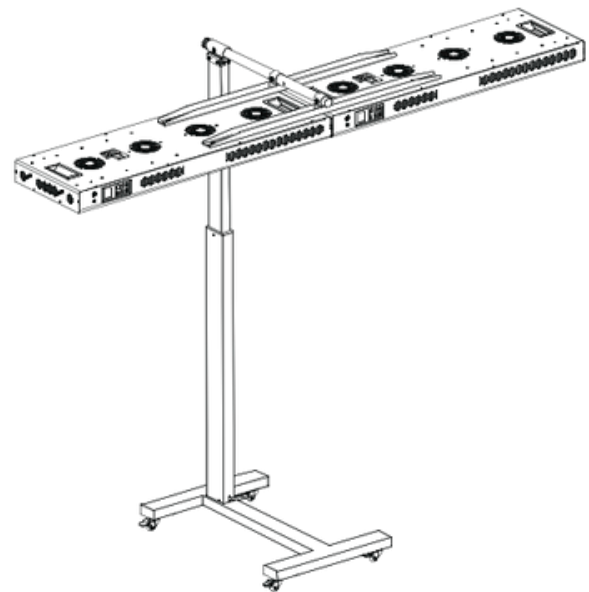
Step 5



Step 6

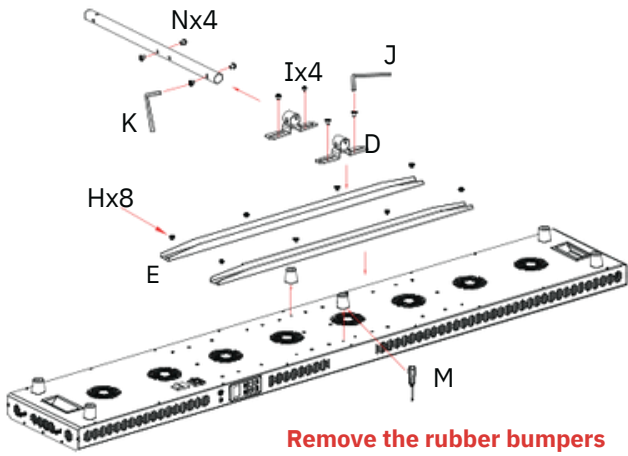


Step 7

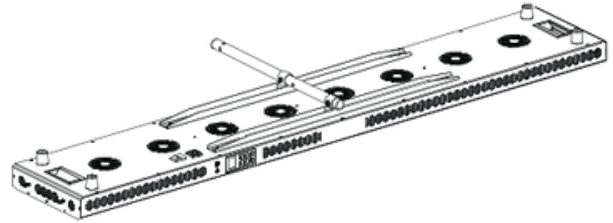


Alpinglow Summit Master3000

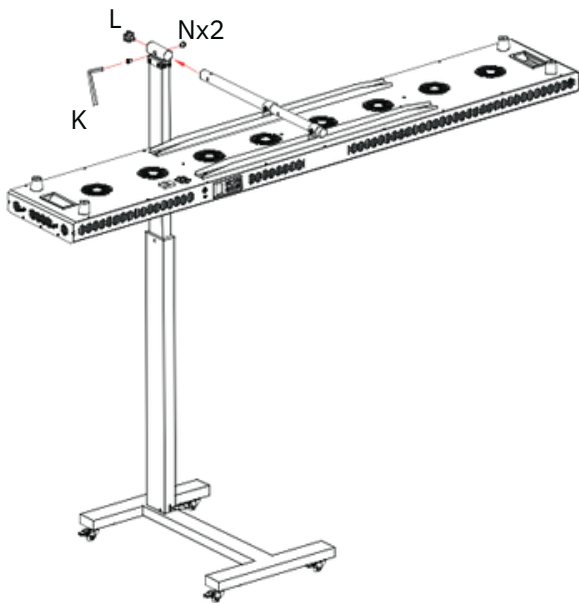
Step 4



Step 5



Step 6

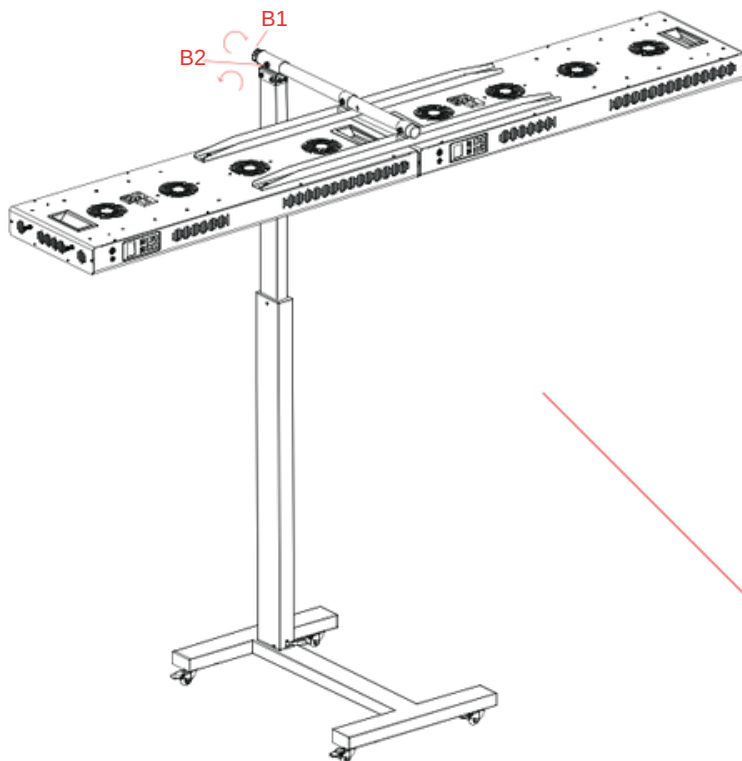


Step 7

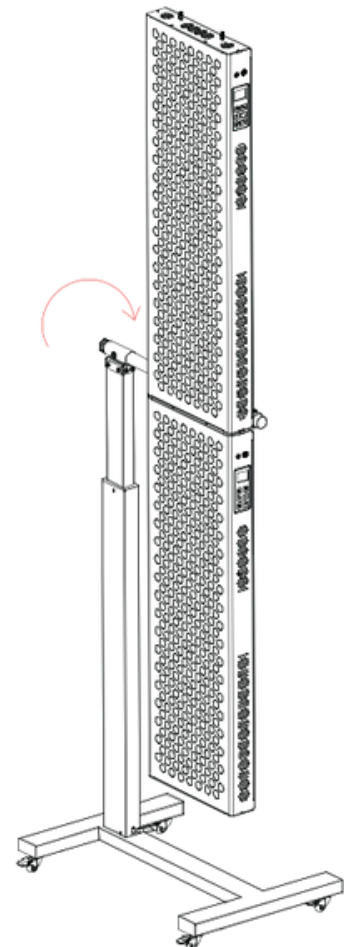


Horizontal position to Vertical position

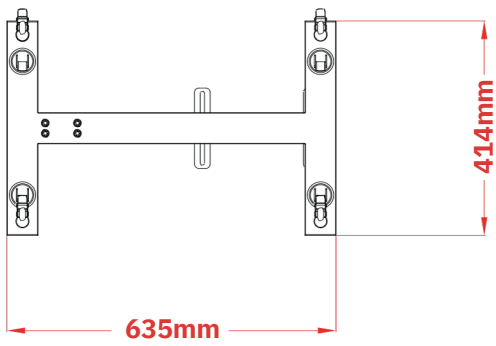
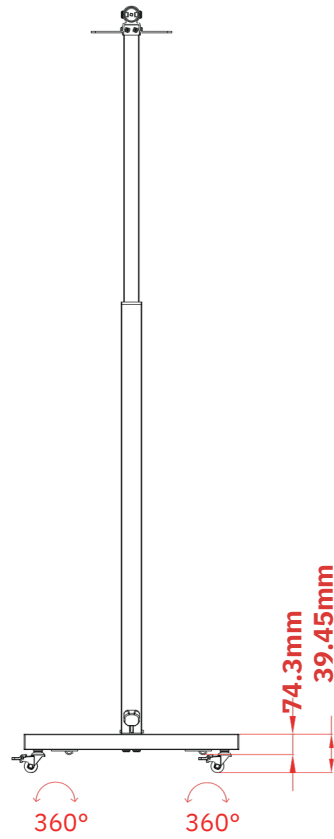
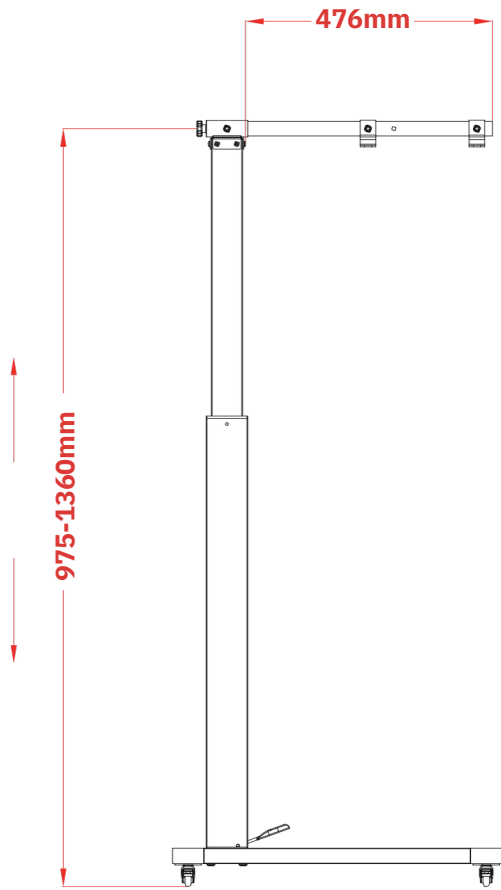
1. loose the B1
2. screw the B2 out



3. rotate the panels to the vertical position
4. tighten the screw B1 and B2



Dimensions



**Note: Maximum load capacity
25KG/55LBS**





www.alpinglow.ch



[alpinglow_switzerland](https://www.instagram.com/alpinglow_switzerland)



[Alpinglow](https://www.facebook.com/Alpinglow)

-  info@alpinglow.ch
-  +41 79 674 71 07
-  Crans Montana, Switzerland

Designed and tested in Switzerland.



www.alpinglow.ch